

MOTOMAN MH600

Handling & General Applications
with the MH-series



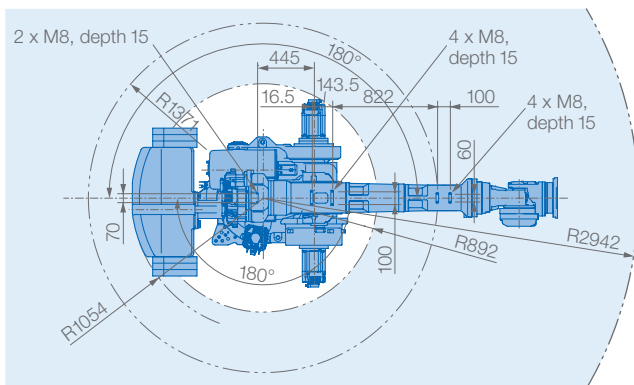
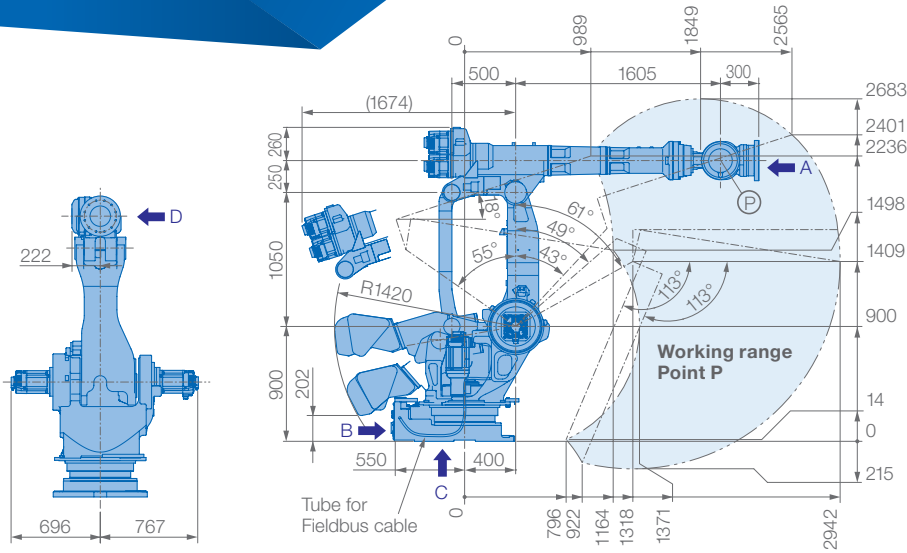
The 6-axis MOTOMAN MH600 is a versatile, powerful robot offering superior performance for a variety of applications. It provides a high payload of 600 kg and a wide motion range, which especially enables the handling of large and heavy work pieces.

The robot features a parallel-link construction for strength, rigidity and stabilization of high moment and inertia loads. The MH600 also has heavy-duty bearings which provide a smooth arm rotation.

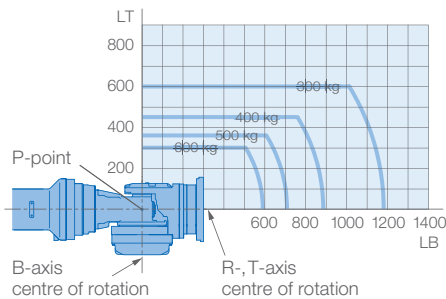
The MOTOMAN MH600 is available with the optional Category 3 Functional Safety Unit (FSU), which allows an establishment of 32 safety units and up to 16 tools.

KEY BENEFITS

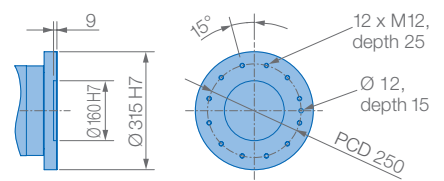
- Ideal for handling of large work pieces
- High payload: 600 kg
- Wide motion range: 2942 mm
- Fast, flexible and powerful
- Parallel-link construction
- Heavy-duty bearings for smooth arm rotation
- Enhanced safety functions



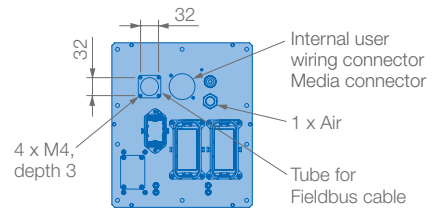
Allowable wrist load



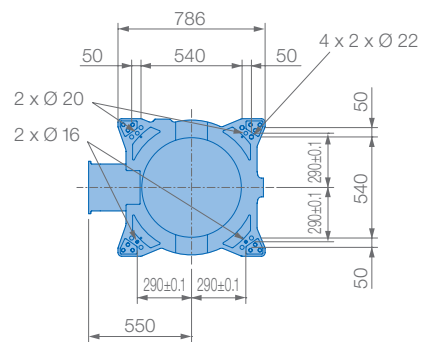
View A



View B

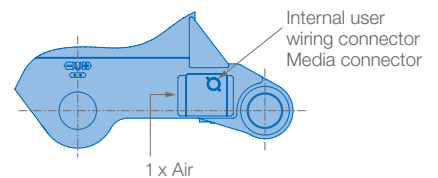


View C



Mounting option: Floor
Protection class: IP30/67

View D



TSpecifications MH600						
Axes	Maximum motion range [°]	Maximum speed [°/sec.]	Allowable moment [Nm]	Allowable moment of inertia [kg · m ²]	Controlled axes	6
S	±180	82	-	-	Max. payload [kg]	600
L	+61/-55	82	-	-	Repeatability [mm]	±0.3
U	+18/-113	82	-	-	Max. working range R [mm]	2942
R	±360	80	3430	520	Temperature [°C]	0 to +45
B	±115	80	3430	520	Humidity [%]	20 - 80
T	±360	162	1764	350	Weight [kg]	3050
					Power supply, average [KVA]	7.5